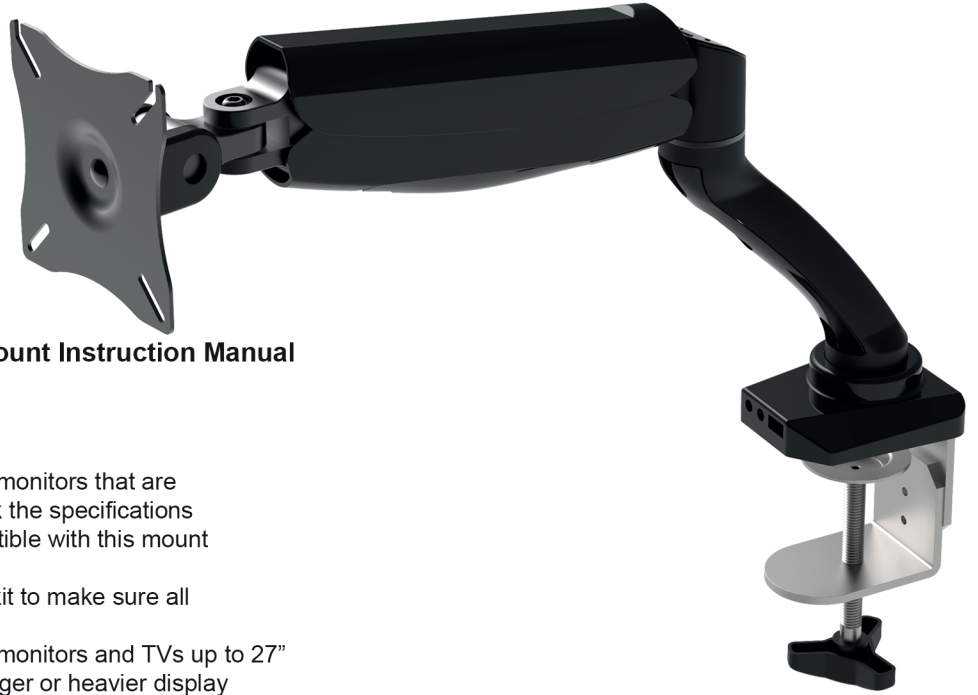


SONOROUS®



Full Motion LED&LCD Desktop Mount Instruction Manual

IMPORTANT!

- This mount is designed for LED&LCD monitors that are VESA 75 or VESA 100 compliant. Check the specifications of your display to make sure it is compatible with this mount before attempting to install it.
- Check the contents of your hardware kit to make sure all hardware have been supplied.
- This mount is designed for LED&LCD monitors and TVs up to 27" in size weighing up to 6,5 kg. Using a larger or heavier display with this mount may result in injury or property damage.



MAXIMUM LOAD
6,5 KG

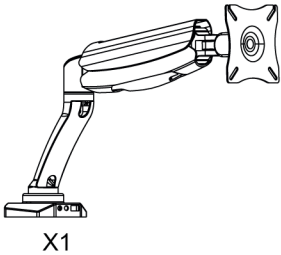
SUREFIX 715

www.sonorous.com.tr

Merkez Mah. Selimiye Cd. No:1 Güzle İş Merkezi Kat:4 Çekmeköy/İstanbul TURKEY - TEL: +90 216 640 16 16 - FAX: +90 216 640 02 55

COMPONENT CHECKLIST

IMPORTANT : Ensure that you have received all parts according to the component checklist prior to installation. If any parts are missing or faulty, contact the distributor for a replacement.



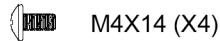
X1



X1



M5X14 (X4)



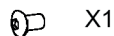
M4X14 (X4)



X1



M6X10 (X3)



X1

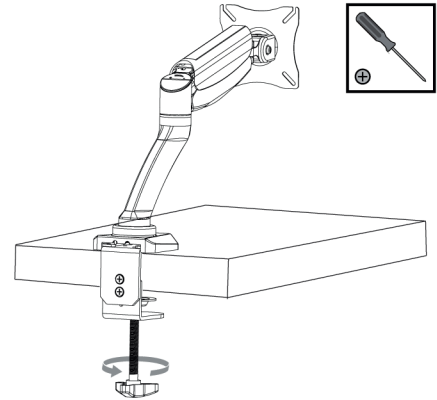
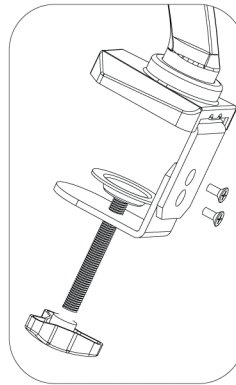


X1

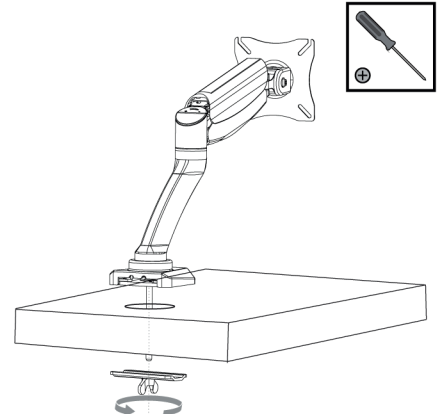
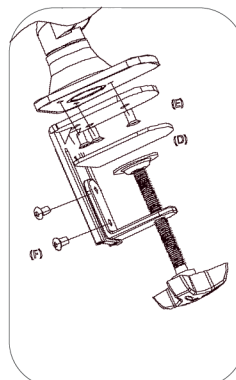


X1

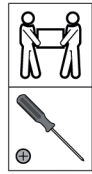
1- a . Install onto the desk



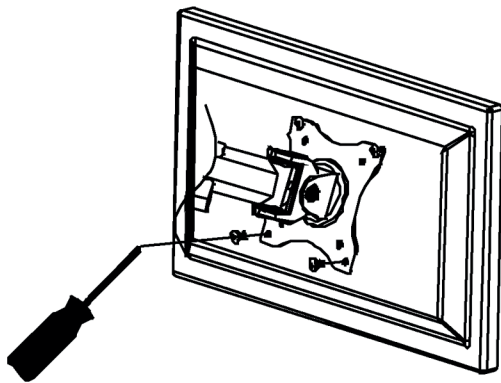
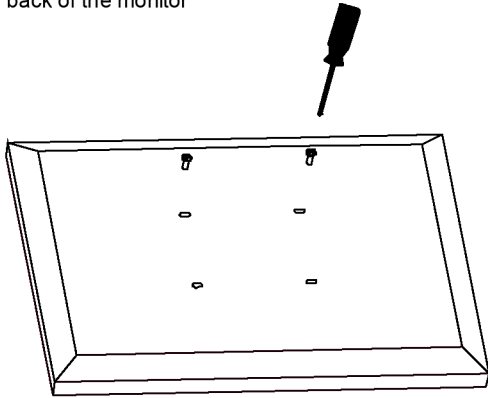
1- b . Install onto the desk



Assemble the clamp and fix it with tube with (E) and (F) and (D)

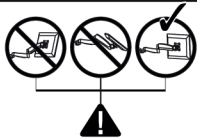
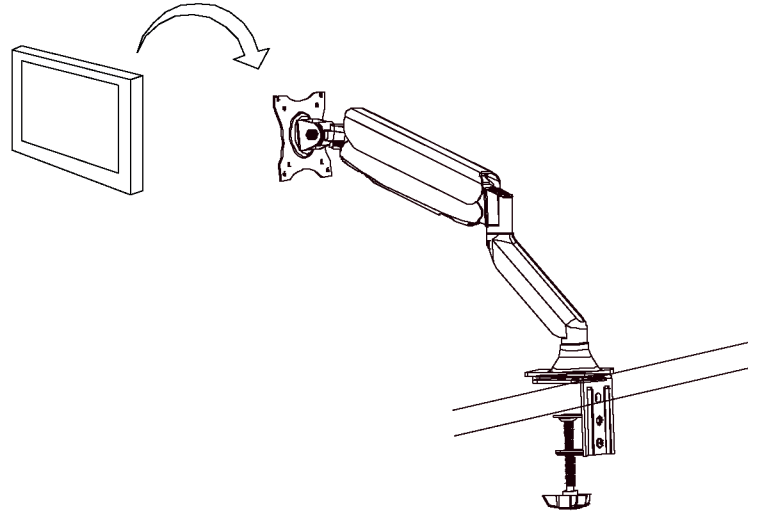


Install two screws at upper part from (A) OR (B) to the back of the monitor

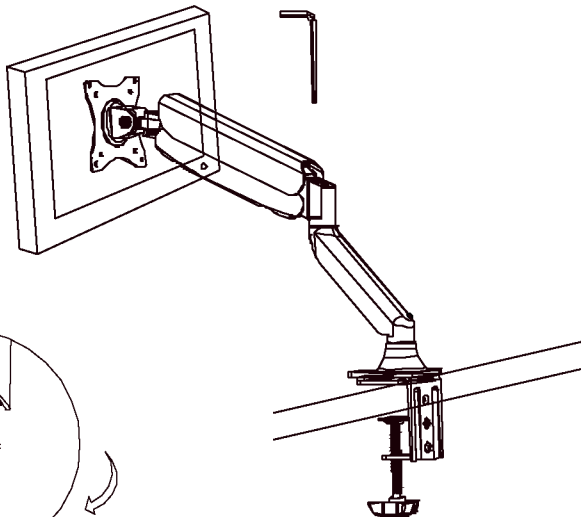


Tighten two screws used from (A) or (B)

Fix the clamp to the desk border
Hang the monitor on the bracket



Adjust the monitor position by allen key at the photo showed.
(Left to force less , Right to force more)



Adjust the screen to proper position

